

AS 5 FT 1000W 230V EXP GIA/GRI

15961210060

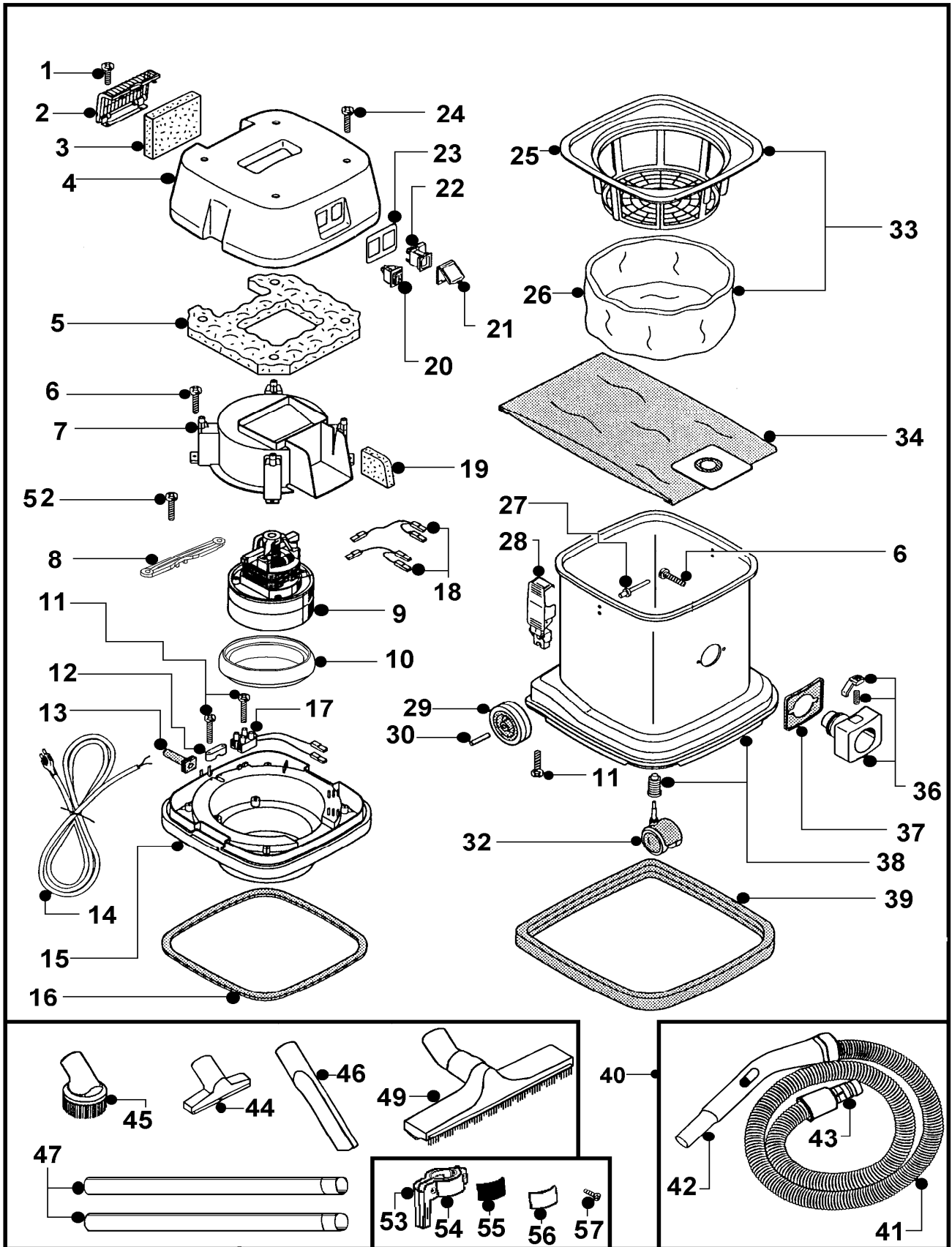


TAVOLA / TABLE N°100001

AS 5 FT 1000W 230V EXP GIA/GRI**15961210060**

POS.	DESCRIZIONE	DESCRIPTION	Q.tà Qty.	CODICE CODE	NOTE NOTES
1	VITE TCC 5 X 13 SP	SCREW TCC 5X13 SP ZB	2	2508560	
2	GR. SPORTELLO SOFFIANTE AS 5	EXHAUST OUTLET AS5	1	6595002	
3	FILTRO USCITA ARIA AS 5	AIR EXHAUSTING FILTER AS5	1	3000611	
4	CALOTTA AS 5 GIALLA WD	YELLOW WD TOP COVER	1	2206410	
5	FIREFLEX RAFFREDD. CALOTTA AS 5	FIREFLEX AS5	1	3000610	
6	VITE TCC 5 X 22 CP	SCREW TCC 5X22 CP ZB	6	2508591	
7	RONDELLA SEPARATORE AS 5	SEPARATING WASHER AS5	1	2009210	
8	FERMAMOTORE AS 5 NUOVA VERS.	MOTOR FIXATION AS5 NEW VERSION	2	2501924	
9	MOTORE 909 1000W 230 063200340(386)	MOTOR 1000W 230V FOR 909	1	11-501	
10	GUARNIZIONE MOUSSE AS5 N.GENER.	AS5 NEW GEN. RUBBER GASKET	1	2502504	
11	VITE TCC 3 X 20 SP	SCREW TCC 3X20 SP ZB	5	2508500	
12	BLOCCACAVO A PONTICELLO	STRAIN RELIEF	1	2001340	
13	PASSACAVO X TESTA PICCOLA	BLACK CABLE GLAND FOR LITTLE MOTOR HEAD	1	855000210	
14	CAVO 2 X 1 NERO MT.10 EXP	BLACK CABLE 2 X 1 MT.10 EXP	1	2507036	
15	BASAMENTO NERO AS 5 + BUSS. M 5	BASE AS5	1	6004002	
16	GUARNIZIONE BASAMENTO AS 5	GASKET BASE AS5	1	2502403	
17	MORSETTO CABLATO AS 5	CABLED CALMP AS5	1	6100266	
18	TRECCIOLA MOTORE SOLO CP 15	MOTOR WIRING ONLY CP 15	2	2506366	
19	PROTEZIONE ADESIVA TRECCIOLE	SOUND Baffle	1	3000053	
20	INTERRUTTORE BIPOLARE SP 1000	BIPOLAR SWITCH	1	2506232	
21	PROTEZIONE PRESA COMPLETA	COMPLETE SOCKET PROTECTIVE CAP	1	3004990	
22	PRESA + CONDENSATORE	SOCKET PLUS CONDENSER	1	3005010	
23	ADESIVO NERO VANO INTERRUUTT.	BLACK STICKER AS5	1	8006070	
24	VITE TCC 5 X 16 SP NERA	SCREW TCC 5X16 SP ZN	4	2508573	
25	ANELLO PORTAFILTRO AS 5	AS 5 FILTER HOLDER RING	1	2000005	
26	FILTRO TELA AS 5	AS 5 TEXTILE FILTER	1	3001013	
27	RIVETTO 4, 8 X 15 UNIGRIP	4, 8 X 15 UNIGRIP RIVET	4	2508833	
28	GR. CHIUSURA AS 5 NERA NERVATA	BLACK RIBBED CLAMP GROUP AS5	2	6100008-A	
29	RUOTA TG 75 MOZZO D. 8	WHEEL TG75	2	2510094	
30	PERNO RUOTA POSTER NYLON AS 5	REAR WHEEL PIN AS5 NY BLACK+30FV	2	2510341	
32	RUOTA GEMINI AS 10 D. 50	WHEEL D.50	2	2510151	
33	GR. FILTRO AS 5 COMPLETO	FILTER AS5	1	6595000	
34	FILTRO CARTA AS 5 CON CHIUSURA	AS 5 PAPER FILTER WITH LOCKING SYSTEM	1	2512043	
36	BOCCHETTA AS 5 NERA COMPLETA	INTAKE AS5 BLACK COMPLETE	1	6000204	
37	GUARNIZIONE BOCCHETTA AS 5	INTAKE GASKET	1	2502556	
38	INVOL. AS 5 GRI. + INS. + FASC. GIALLA	GREY TANK AS5 + INS. + YELLOW COVER	1	3059504	
39	FASCIA PARAURTI GIALLA	BUMPER BAND	1	2004253	
40	TUBO FLEX D. 32 +IMPUGNAT. NERA	FLEX HOSE AS5 D.32 + BLACK HANDLE 2,5 MT	1	6010604	
41	TUBO FLESSIBILE D. 33 NERO	BLACK FLEXIBLE HOSE D.33 2,5 MT	2,5	2511000	
42	IMPUGNATURA CURVA D.32 NERA	CURVED HOSE	1	MK-030	
43	INNESTO TUBO FLEX D. 32 AS 5	FLEXIBLE HOSE D.32 AS 5 CLUTCH	1	2005363	
44	BOCCHETTA D. 32 CM. 13	UPHOLSTERY TOOL D.32	1	856000101	
45	PENNELLO D. 32	ROUND BRUSH D.32	1	856000061	
46	LANCIA PIATTA D. 32	CREVICE TOOL D.32	1	856000071	
47	PROLUNGA NERA M 0,50 D.32 814/909	BLACK EXTENSION D.32 814/909	2	01-341	
49	SPAZZOLA D320 D.32 WESSEL	BRUSH D320 P D.32 2011	1	2511523	
52	VITE TCC 5 X 22 SP	SCREW TCC 5X22 SP ZB	4	2508590	

--

